

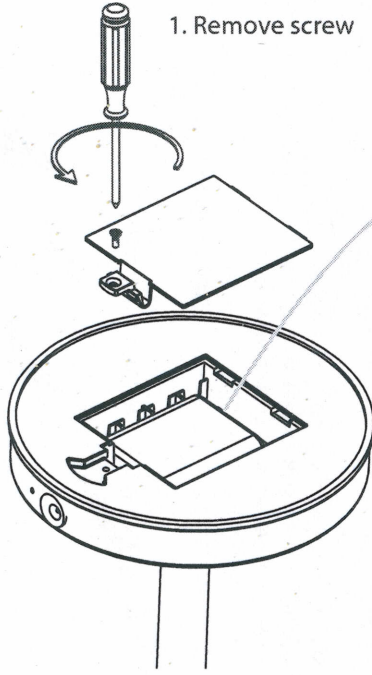
# BELLA Rechargeable Make-Up Mirror ED20KTR

## INSTALLATION INSTRUCTIONS

10mins Auto-off Timer

3 Step Dimmer

### BEFORE YOU START



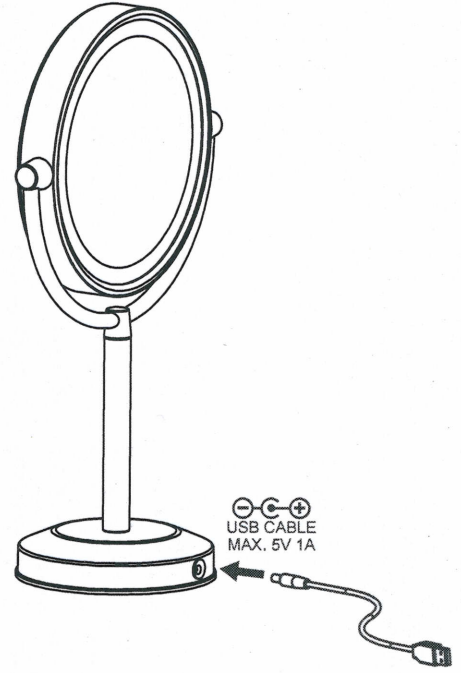
2. Connect and charge before use.

**N.B. Mirror Light will not operate when charging.**

INDICATOR		STATUS
Flashing Red		Charging - Battery Low
Flashing Green		Charging - Normal
Green		Battery fully Charged
Blinking red & Green		Battery is not connected

Charging time is 1 to 4 hours depend on the battery condition. Please unplug power supply when charging is completed.

### CHARGING BATTERY



Connect to suitable USB charging device



**PLEASE DO NOT RETURN THIS PRODUCT TO THE STORE**

**ATTENTION**

Thank you for purchasing a product from the BETTER LIVING BRANDS range. Our products are manufactured to the highest possible standard of quality and we stand by them 100%. Many times, an issue can be resolved over the phone. If you are experiencing a technical issue, have questions regarding the operation of your product, or are in need of warranty assistance, please contact our Customer Support team (M-F, 9am-5pm EST).

**BETTER LIVING PRODUCTS PTY LTD**

Phone: 03 9807 2992 Email: [info@thedispenser.com.au](mailto:info@thedispenser.com.au)

### 12 MONTH LIMITED WARRANTY

BETTER LIVING BRANDS mirror products are backed by the added security of our 12 month warranty. We warrant that these BETTER LIVING BRANDS products will be free of defects in material or workmanship under normal household use and cared for according to the instructions during BETTER LIVING PRODUCTS product's warranty period. Please note that the warranty period begins from the date of retail purchase by the original end-user purchaser. Minor imperfections and slight color variations may be considered normal. This warranty excludes damage to the product from misuse or abuse, such as improper cleaning, neglect, accident, alteration, fire, theft, or use in a commercial establishment.

Our goods come with guarantees that cannot be excluded under the Australian Consumer Law. You are entitled to a replacement or refund for a major failure and for compensation for any other reasonably foreseeable loss or damage. You are also entitled to have the goods repaired or replaced if the goods fail to be of acceptable quality and the failure does not amount to a major failure.

**Following conditions apply to our warranty terms, but not limited to:**

- A copy of your dated proof of purchase may be required prior to any claims under our warranty.
- Photographic or video evidence to support a warranty claim may be required, alternatively the product may need to be returned to BETTER LIVING PRODUCTS at the claimants expense. Naturally, any replacement would be returned free of charge.
- Your BETTER LIVING BRANDS product has been manufactured to strict specifications and has been designed for use with BETTER LIVING PRODUCTS authorized accessories and replacement parts. This warranty expressly excludes any defects or damages caused by accessories, replacement parts, and repair services other than those authorized by BETTER LIVING PRODUCTS.
- This warranty is applicable to private residential customers only, and it does not apply to commercial establishments.
- This warranty is valid only in the country where the BETTER LIVING BRANDS product was purchased.

**Following are not covered by our warranty, but not limited to:**

- Intentional damage to the product.
- Dents, scratches, and other conditions that occur over time considered as normal wear and tear.
- Lost or stolen product.
- Parts or products that have been disposed.
- Any modification to the product.
- Deterioration arising under inappropriate exposure to extreme conditions such as outside weather, heat, or cold.
- All incidental or consequential damages that result from user mishandling or other than its intended use in a typical household capacity.
- Contents such as batteries in use with the product.
- Products purchased As-Is, second-hand or refurbished by third party.
- Not satisfied with the product.

**Warranty Registration:**

In order to activate your warranty, please register your product immediately after purchase by visiting <http://www.thedispenser.com.au/warranty-registration>.

**Care & Cleaning:**

Like anything of lasting quality, BETTER LIVING BRANDS products a certain amount of periodic cleaning to preserve their finish. Clean your new product with a damp cloth and mild soap, and dry with a clean, soft cloth. NEVER use cleaners containing abrasive cleaners, ammonia, bleach, acids, waxes, alcohol, or solvents for cleaning as they may damage the finish. Failure to comply with these instructions may void this product warranty.